

KM6-II Subracks

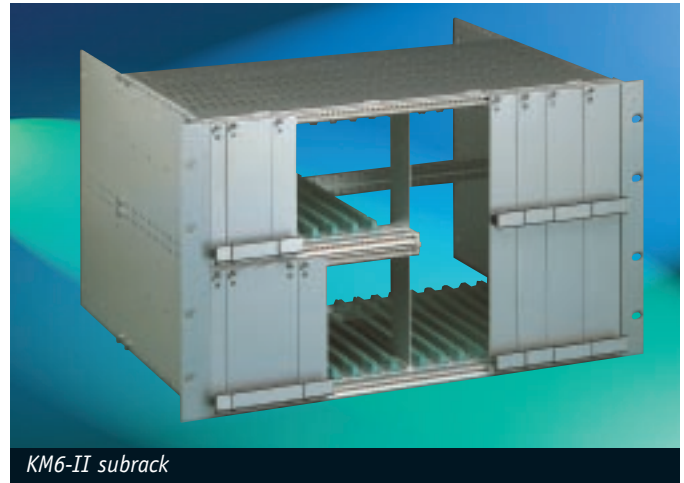
Fully compatible with DIN41494 part 5 and IEC60297-3.

KM6-II 'Standard' is available in kit form, offering quick and simple assembly.

KM6-II Universal is a highly versatile subrack system, supplied in a wide range of kits and individual parts. It can be EMC screened by the addition of various components and offers rugged construction.

A wide range of accessories add to the versatility of these systems.

In addition to the subracks there is a comprehensive range of compatible panels, both flat, and EMC and plug-in units.



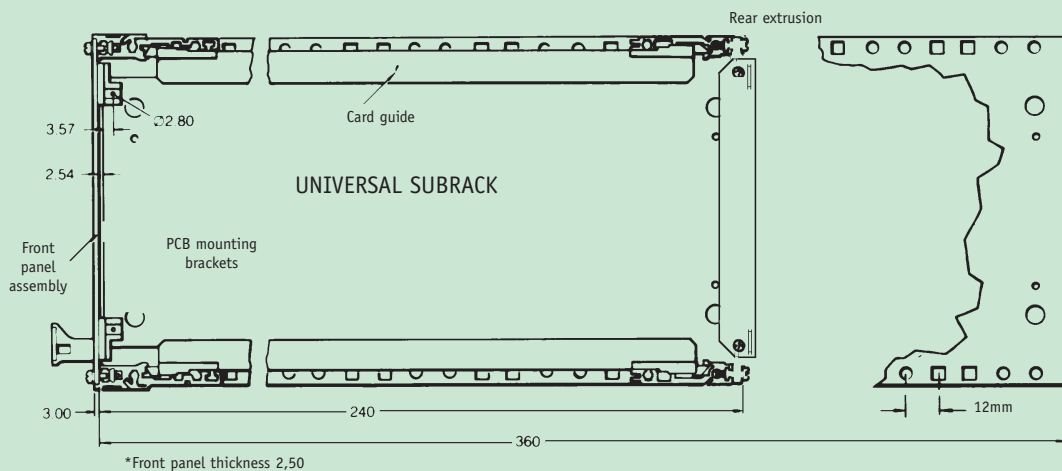
KM6-II subrack



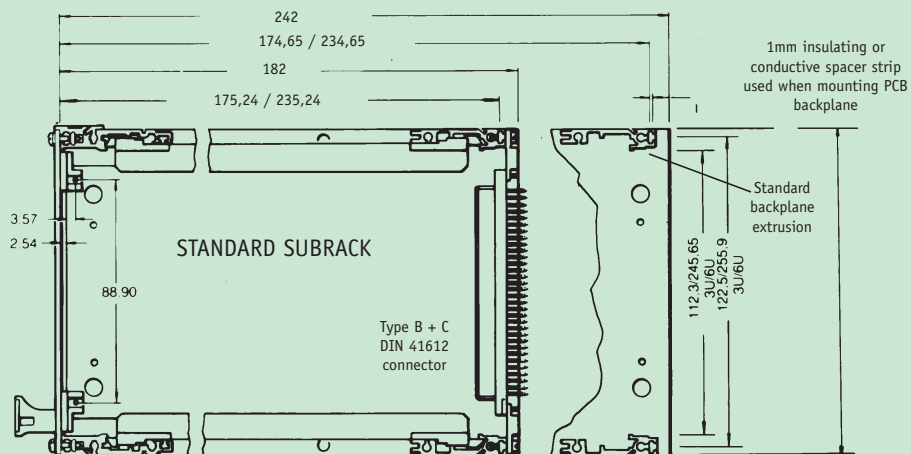
KM6-II subrack EMC conversion kit

KM6-II System dimensional criteria

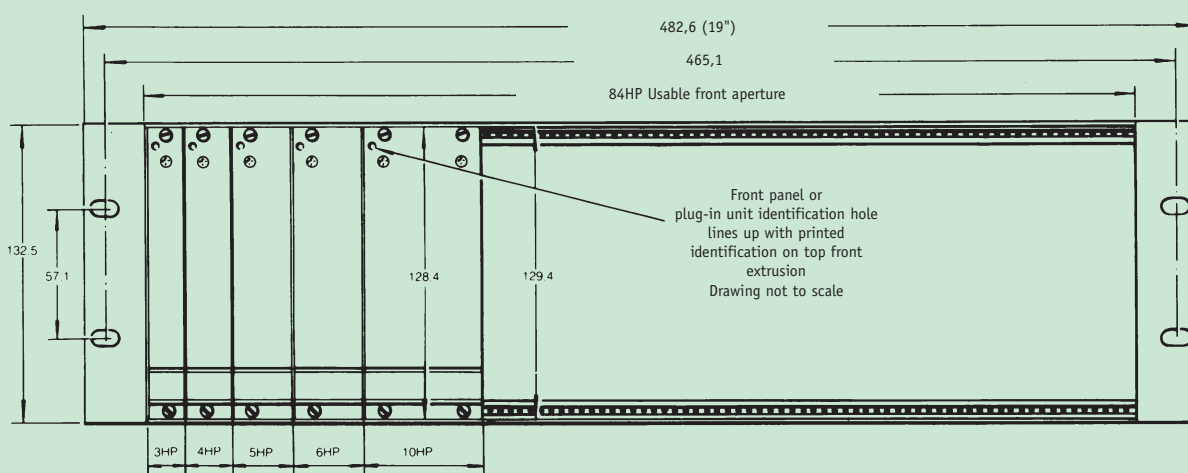
UNIVERSAL SUBRACK LAYOUT



STANDARD SUBRACK LAYOUT



3U SUBRACK FRONT VIEW



KM6-II Toolkit

KM6-II TOOLKIT IS A CAD PACKAGE FOR USERS OF KM6-II SUBRACKS.

TOOLKIT enables designers and production engineers to call up the various components required in a subrack and then 'assemble' them on the CAD screen. The facility is ideal for producing documentation for mechanical lay-out, shop floor assembly and quality control departments.

The package will produce top, front and third angle views.

In addition to other CAD programs, TOOLKIT offers compatibility with AUTOCAD R10 and subsequent revisions.

Using TOOLKIT for modifying such components as extrusions, end plates and covers, a total custom package can be created.

TOOLKIT is available in various forms:

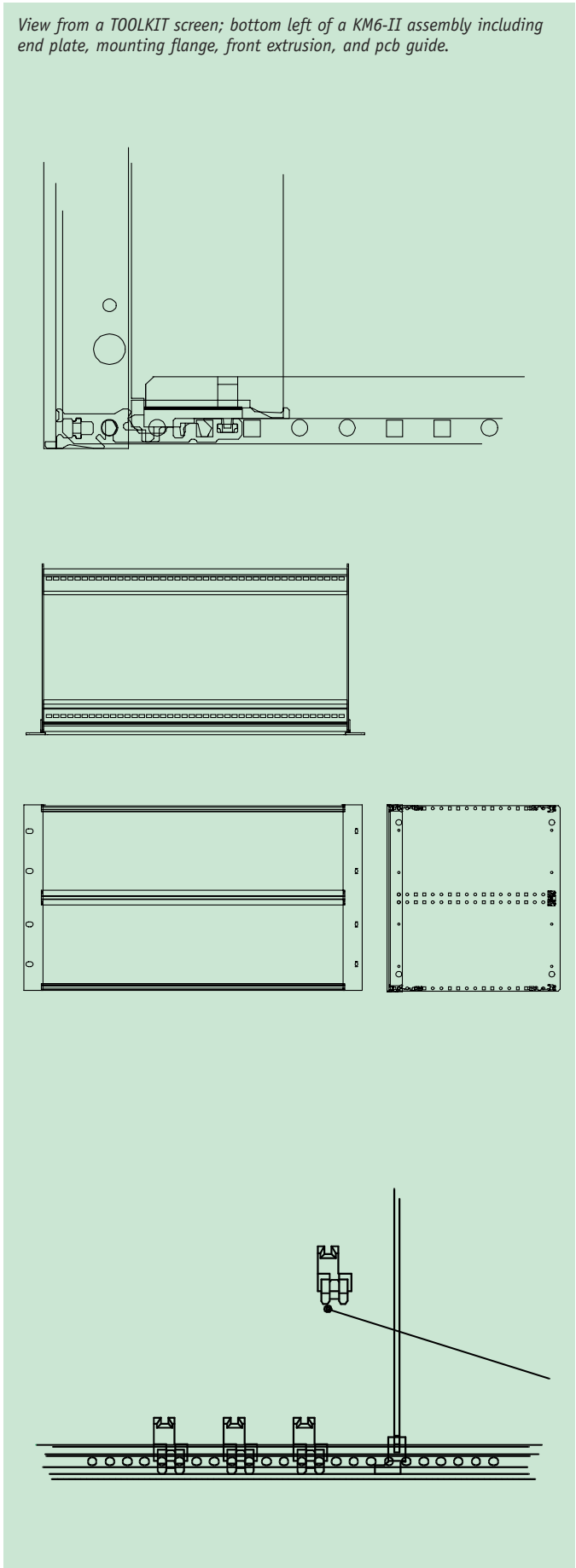
Ordering information

Disk size	Format	Order code
DOS 3.5"	Disks in dxf format	950-239856
DOS 3.5"	Disks in IGES format	950-240119

Other media types may be available as a special order.

An administration charge is made for the TOOLKIT service.

View from a TOOLKIT screen; bottom left of a KM6-II assembly including end plate, mounting flange, front extrusion, and pcb guide.



KM6-II Standard Subracks

Features

- Versions for backplane and DIN 41612 connector
- Strong and versatile
- Conforms to IEC 60297-3
- Conductive components
- 160mm mounting in 220mm versions
- 3U and 6U heights
- 160 and 220mm board compatible
- 42HP and 84HP widths available
- No adjustment after assembly
- Pre-tapped holes and machine screws throughout
- Supplied as a complete kit
- Reduced end plates to accept chassis supports
- Available with or without front handles

“Standard” subracks can be supplied with backplane or DIN 41612 connector mounting rear extrusion. 84HP kits are available with, or without, front handles.

Backplane extrusions can be converted to DIN 41612 using a separate connector frame.

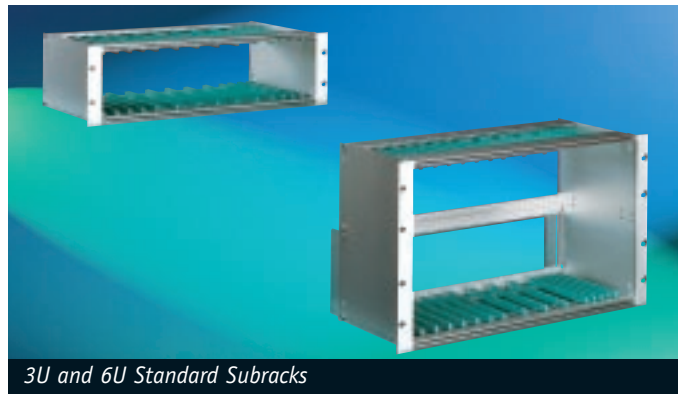
While offering ease of assembly, KM6-II ‘Standard’ Subracks are strong and versatile. The extrusions are a larger section to improve rigidity and location of the guides. Versions suitable for 220mm boards will accept 160mm boards. The end plates have mounting facilities which allow the extrusions to be reversed relative to the front end plate angles, thus providing rear access.

The kit includes rear extrusions and is complete with all tapped strips. In order to maintain the front panel/connector geometry a suitable backplane spacer, either insulating or conductive, must be used on backplane versions.

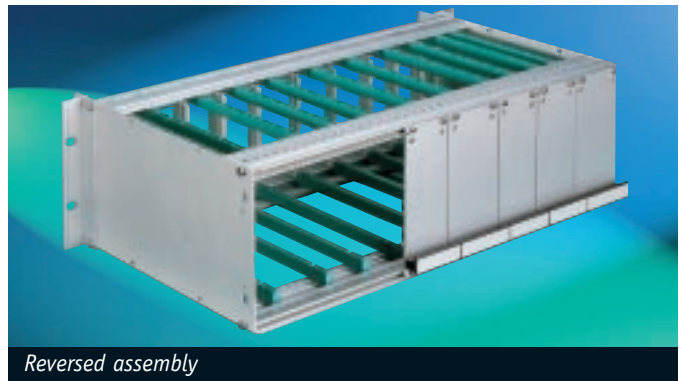
Contents of kit

Item/Description	Material/Finish
2 end plates	2mm aluminum BS 1470 5251
-	H24 (NS4 H6), Conductive
2 end plate angles	2mm aluminum BS 1470 5251
-	H24 (NS4 H6), Conductive
2 front extrusions	Aluminum alloy BS 1474
	6063T6, Conductive
2 rear extrusions	Aluminum alloy BS 1474
	6063T6, Conductive
1 center rear extrusion (6U only)	Aluminum alloy BS 1474
	6063T6, Conductive
Tapped strips:	MS zinc pssivate
Backplane variants 4 or 6 (3U/6U)	Aluminum alloy BS 1474 6063T6
DIN 41612 variants 2 (the rear extrusions are fully tapped)	
All hardware	
Assembly instructions	
Optional: handles	

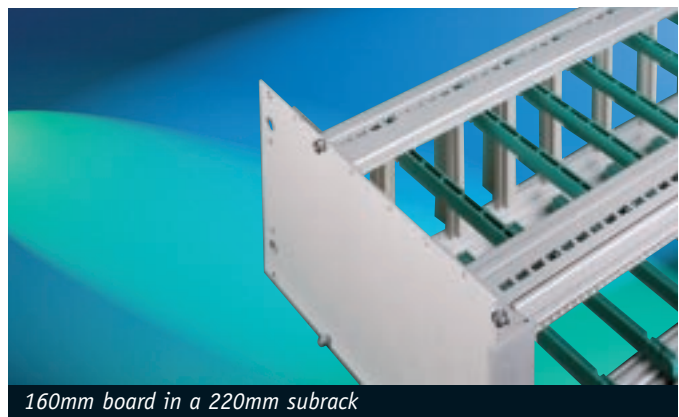
Note: The conductive finish gives excellent electrical conductivity but is more easily marked than anodizing. During assembly care should therefore be taken to avoid the deposition of grease and oil, particularly on visible surfaces.



3U and 6U Standard Subracks

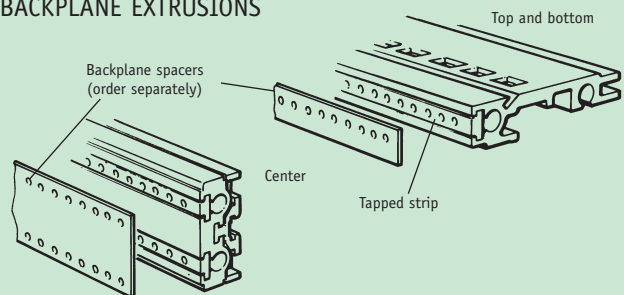


Reversed assembly

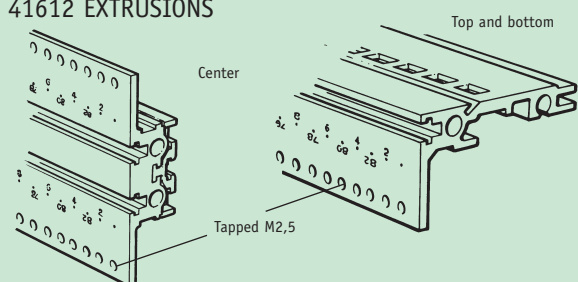


160mm board in a 220mm subrack

BACKPLANE EXTRUSIONS



DIN 41612 EXTRUSIONS



KM6-II Standard Subracks

Ordering information

KM6-II Subrack, backplane mounting

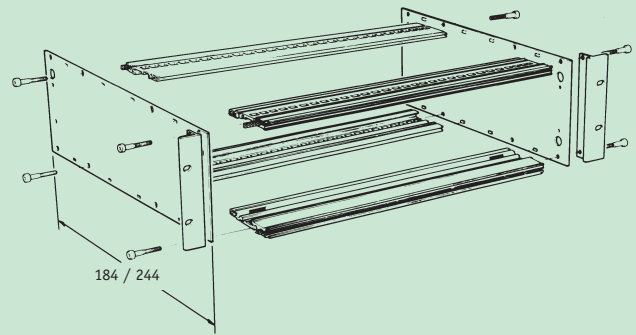
Description, H x D x W (HP)	Order code
3U x 180 x 42, No handles	950-202583
3U x 240 x 42, No handles	950-202587
3U x 180 x 84, With handles	950-232563
3U x 180 x 84, No handles	950-202581
3U x 240 x 84, With handles	950-232564
3U x 240 x 84, No handles	950-202585
6U x 180 x 42, No handles	950-202584
6U x 240 x 42, No handles	950-202588
6U x 180 x 84, With handles	950-232604
6U x 180 x 84, No handles	950-202582
6U x 240 x 84, With handles	950-232605
6U x 240 x 84, No handles	950-202586

Ordering information

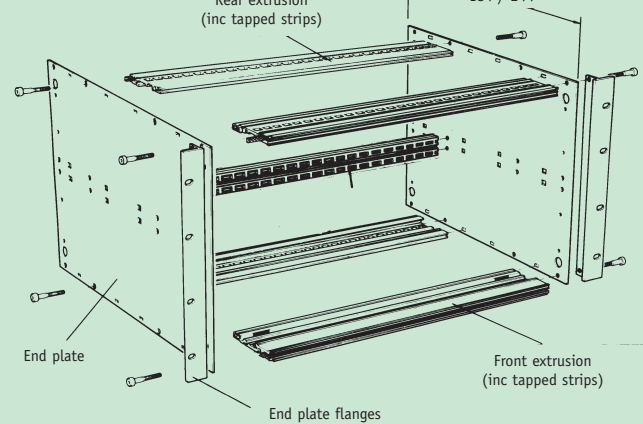
KM6-II Subrack, DIN 41612 connector mounting

Description, H x D x W (HP)	Order code
3U x 180 x 84, With handles	950-232568
3U x 180 x 84, No handles	950-232050
3U x 240 x 84, With handles	950-232569
3U x 240 x 84, No handles	950-232051
6U x 180 x 84, With handles	950-232607
6U x 180 x 84, No handles	950-232052
6U x 240 x 84, With handles	950-232608
6U x 240 x 84, No handles	950-232053

3U SUBRACK

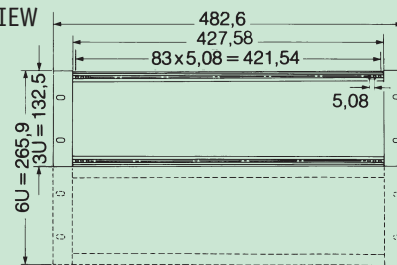


6U SUBRACK

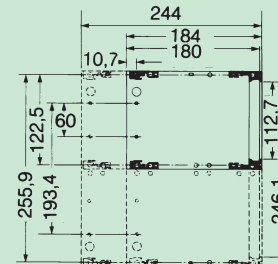


DIMENSIONAL DETAIL

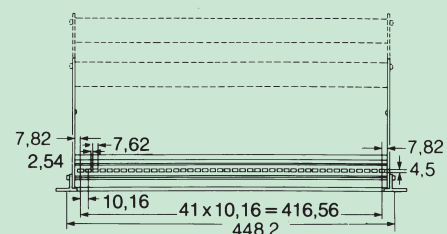
FRONT VIEW



SIDE VIEW



TOP VIEW





KM6-II Universal Subracks

Features

- Strong and versatile
- Two screw fixing for extrusion
- Conforms to IEC 60297-3
- Total flexibility permits wide range of configurations
- Available in kit or piece-part form
- Accurate location for first time assembly
- Rugged construction
- Pre-tapped holes and machine screws throughout
- EMC conversion
- With or without front handles

KM6-II Universal Subracks are strong, versatile and easy to assemble.

The extrusions are of large cross section for rigidity and are secured using two fixing screws into counterbored holes. The screws thus act as location dowels giving a high degree of accuracy. This version has the capability of housing Eurocards of different sizes in a variety of configurations. The frame can be constructed from standard parts in 3U, 4U, 6U, 7U and 9U heights.

The endplates, 240mm, 300mm, 360mm or 420mm deep, incorporate a series of punched holes so that the extrusions can be assembled at any required position. 300mm and greater depths also have a pattern of additional holes for fixing the chassis system 84HP variants are offered in Backplane or DIN 41612 connector mounting and are supplied with or without front handles. DIN 41612 rear extrusions are fully tapped.

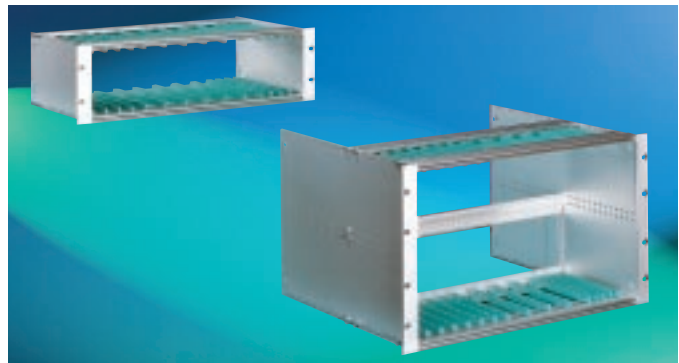
Please note 4U and 7U versions can only be ordered from piece parts. Alternative versions of 3U, 6U and 9U subracks can also be ordered from piece parts.

Sizes:

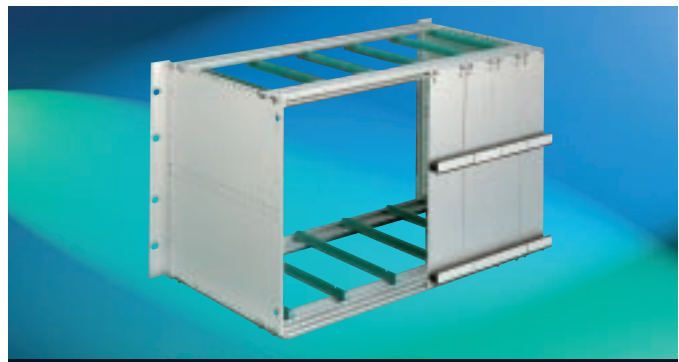
- 3U, 6U and 9U heights
- 160 and 220mm board compatible
- 42 and 84HP widths
- 160mm mounting in 220mm versions

Contents of kits

Item/Description	Material/Finish
2 end plates	2mm aluminum BS 1470 5251-H24 (NS4 H6) anodized conductive
2 end plate angles	2mm aluminum BS 1470 5251-H24 (NS4 H6) Alocrom 1000 or equivalent
2 front extrusions	Aluminum alloy BS 1474 6063T6
Rear extrusions -	Aluminum alloy BS 1474 6063T6
2 - 3U	
3 - 6U	
4 - 9U	
Tapped strips	MS zinc passivate
Backplane variants-	Aluminum alloy BS 1474 6063T6
4 - 3U	
6 - 6U	
8 - 9U	
DIN 41612 variants 2 (the rear extrusions are fully tapped)	
All hardware	
Assembly instructions	
Optional: handles	

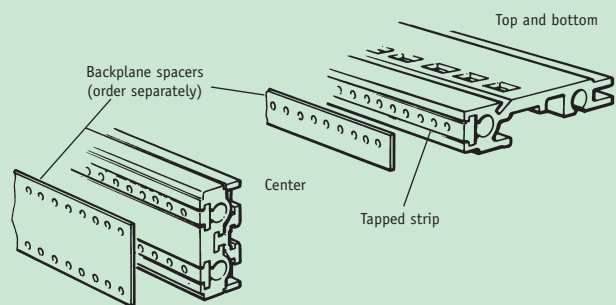


3U and 6U Universal Subracks

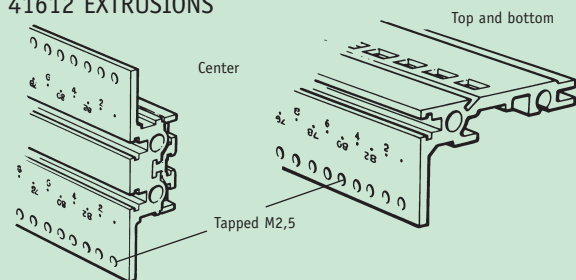


Reversed subrack

BACKPLANE EXTRUSIONS



DIN 41612 EXTRUSIONS



KM6-II Universal Subracks

Ordering information

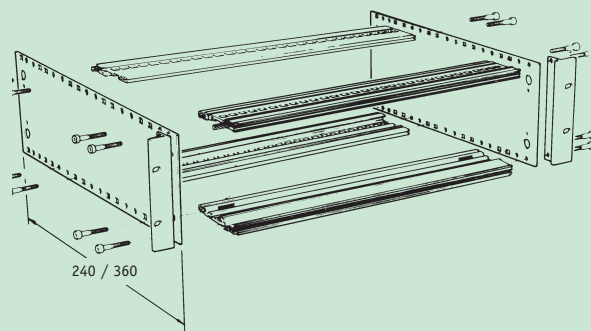
KM6-II Subrack, backplane mounting

H x D x W (HP)	Order code
3U x 240 x 42, No handles	950-202592
3U x 240 x 84, With handles	950-232565
3U x 240 x 84, No handles	950-202589
3U x 300 x 84, With handles	950-232566
3U x 300 x 84, No handles	950-223550
3U x 360 x 84, With handles	950-232567
3U x 360 x 84, No handles	950-202594
6U x 240 x 42, No handles	950-202593
6U x 240 x 84, With handles	950-232599
6U x 240 x 84, No handles	950-202590
6U x 300 x 84, With handles	950-232601
6U x 300 x 84, No handles	950-223551
6U x 360 x 84, With handles	950-232602
6U x 360 x 84, No handles	950-202595
6U x 420 x 84, With handles	950-232603
6U x 420 x 84, No handles	950-202597
9U x 240 x 84, No handles	950-202591
9U x 300 x 84, No handles	950-224198
9U x 360 x 84, No handles	950-202596
9U x 420 x 84, No handles	950-202598

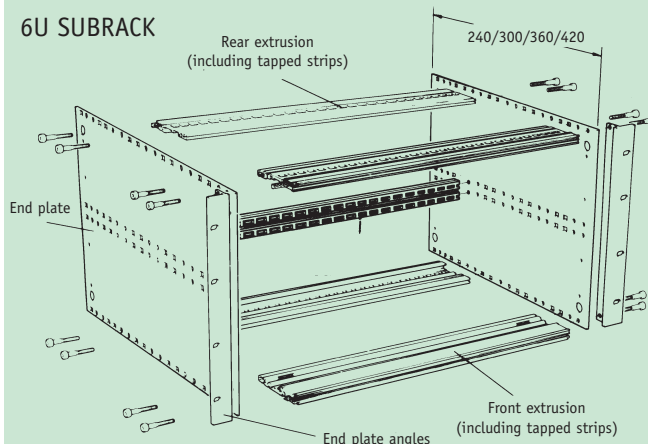
KM6-II Subrack, DIN 41612 connector mounting

3U x 240 x 84, With handles	950-232570
3U x 240 x 84, No handles	950-232054
3U x 360 x 84, With handles	950-232571
3U x 360 x 84, No handles	950-232055
6U x 240 x 84, With handles	950-232609
6U x 240 x 84, No handles	950-232056
6U x 360 x 84, With handles	950-232610
6U x 360 x 84, No handles	950-232057

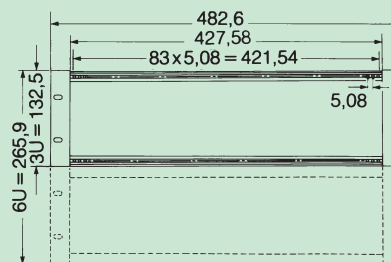
3U SUBRACK



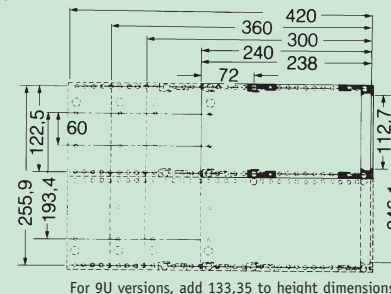
6U SUBRACK



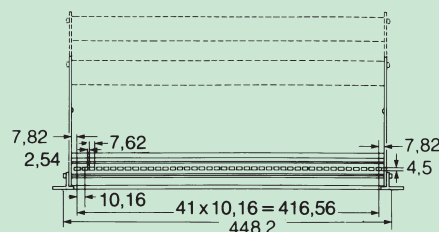
FRONT VIEW



SIDE VIEW



PLAN VIEW



KM6-II Subrack - piece parts

KM6-II UNIVERSAL - PIECE PARTS

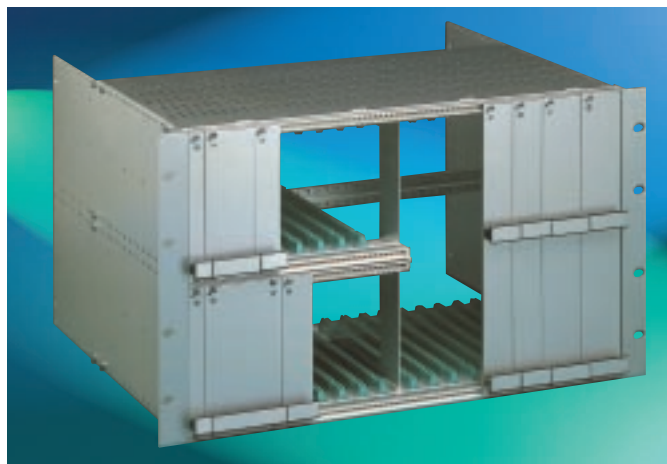
It is possible to order KM6-II Universal subracks from piece parts. This allows special configurations to be achieved. 4U and 7U Universal subracks can only be ordered from piece parts. All basic components are detailed on the next three pages.

Typical Example:

WHAT MUST I ORDER?

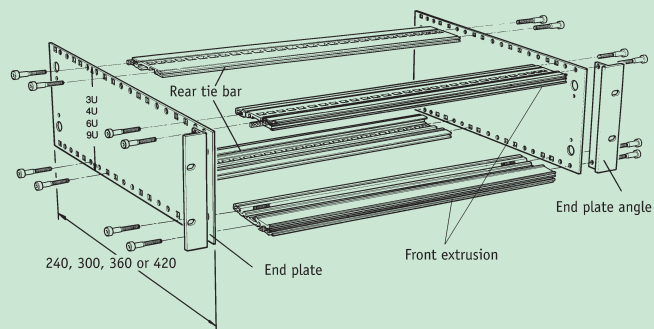
To achieve a basic 3U Universal subrack you must order the following:

- 2 end plates
- 2 or 4 tapped strips
- 2 end plate angles
- 1 packet of hardware
- 1 front extrusion (top)
- Hardware screws (M4 x 25skt cap)
- 1 front extrusion (bottom)
- 2 rear extrusions



KM6-II Universal subrack

KM6-II UNIVERSAL SUBRACK



KM6-II Subrack - piece parts

END PLATES AND END ANGLES

Universal end plates are punched on a 12mm pitch along their length to enable extrusions to be mounted to meet customer applications.

Identifications are stamped on the end plate to assist in extrusion location. End plates and end plate angles are sold separately (i.e. 2 required for each subrack). Endplate angles are available with or without handle hardware holes.

The 4U x 360 and 7U x 420 versions can be assembled as 3U/6U + 2 X 0.5U or 3U/6U + 1U.

Ordering information

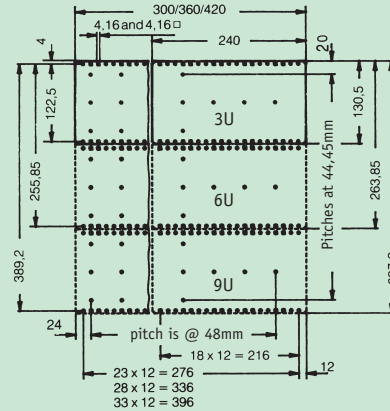
Height x thickness x depth	Order code
3U x 2 x 240	950-202787
3U x 2 x 300	950-221911
3U x 2 x 360	950-202790
4U x 2,5 x 240	950-202618
4U x 2,5 x 360	950-202620
6U x 2 x 240	950-202788
6U x 2,5 x 300	950-221912
6U x 2,5 x 360	950-202791
6U x 2,5 x 420	950-202793
7U x 2,5 x 420	950-259286
9U x 2,5 x 240	950-202789
9U x 2,5 x 300	950-224197
9U x 2,5 x 360	950-202792
9U x 2,5 x 420	950-202794

End plate angles

Ordering information	Order code	
	With handle holes	w/out handle holes
Height x thickness		
3U x 2	950-232632	950-202783
4U x 2,5	-	950-202616
6U x 2	950-232633	950-202784
6U x 2,5	950-232635	950-202785
7U x 2,5	-	950-259287
9U x 2,5	-	950-202786

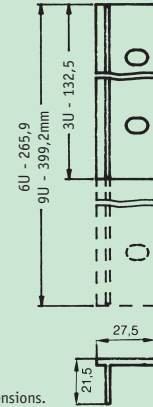
Note: 6U angles vary according to end plate width

END PLATES



For 4U or 7U dimensions add 44,45 to the 3U or 6U height dimensions. 4U and 7U have a row of holes to suit 3U components.

END PLATE ANGLES



CONDUCTIVE FINISH

ANODIZED

End plates and end plate angles

KM6-II Subrack - piece parts

SUBRACK HANDLES

- Comfortable hand grip
- Range of sizes

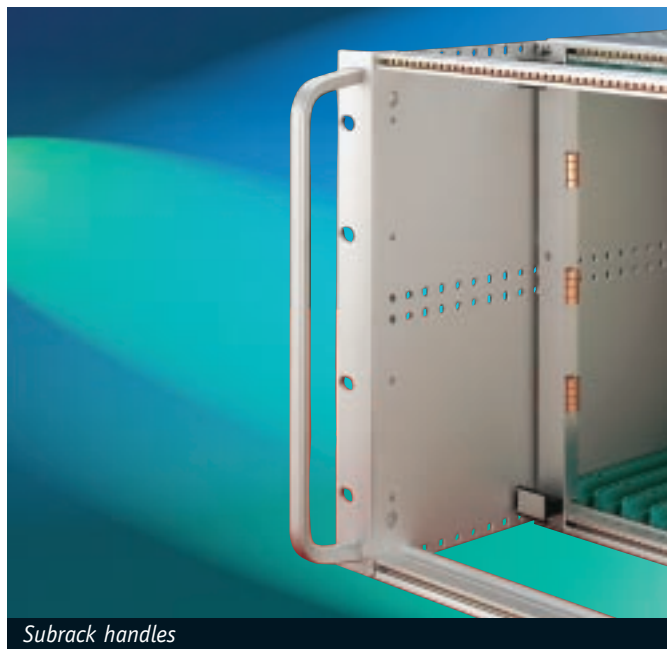
As supplied in some standard KM6-II subrack kits, these handles are also available separately. The 3U & 6U end plate flanges shown above have the mounting holes, and other sizes should be modified accordingly.

Contents of kit

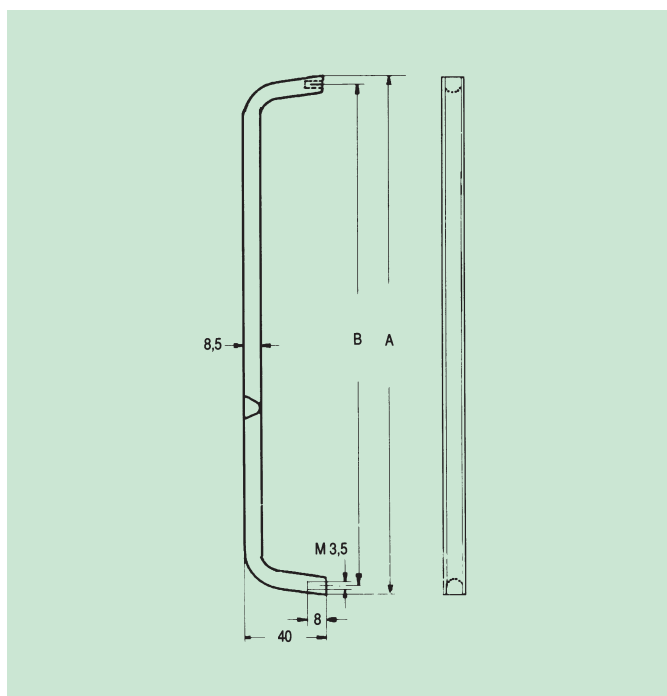
Item/Description	Material/Finish
1 handle	Aluminum alloy E6, Etch and clear anodized

Ordering information

Description	Height (U)	A	B	Order code
Handle	3	116,3	108,3	50-10117
Handle	4	160,8	152,8	50-10116
Handle	6	249,7	241,7	50-10118
Screw M3, 5 x 10 countersunk head Pk 10				173-10036



Subrack handles



KM6-II Subrack - piece parts

KM6-II FRONT EXTRUSIONS

KM6-II front extrusions include a two screw fixing facility. Accuracy of alignment is ensured by the dowel fixing screws. A slot enables guides to be secured using M2,5 x 5 screws and a tapped strip.

Dust covers and EMC covers are also attached to these extrusions.

STANDARD front extrusions have slot identification printed along their length to aid guide location. Top versions also have a printed ident/label on the front face for panel location.

In addition to the standard front extrusion, there are three other types:

PLAIN, which has no guide location holes; this extrusion is included in EMC conversion kits and can also be used for attaching additional panels (e.g. for rear socket mounting).

LIPLESS, which has normal guide location holes but offers two facilities; if used as a height dividing extrusion, it is possible to use overall front panels; it will also fit within an EMC screen, permitting the recessing of cards.

INJECTOR/EJECTOR, which is a modified normal front extrusion with an added feature which provides the operating surface for the injection of PCB's. This feature reduces the vertical front aperture to 105,9mm (on a 3U).

These three latter extrusions are supplied in 84HP lengths and are not silk screen printed.

Contents of kit

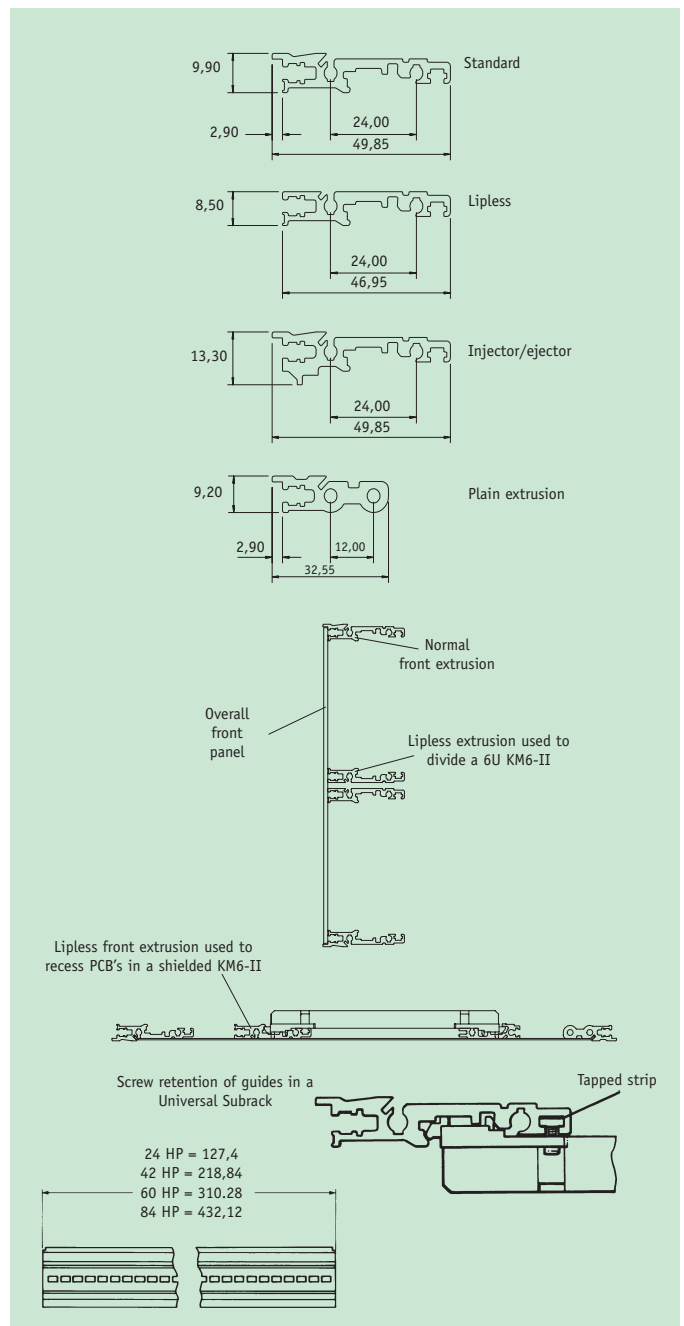
Item/Description	Material/Finish
1 extrusion	Aluminum alloy BS 1474 6063T6 conductive

Ordering information

Description	Order code
24HP Top front extrusion	950-202796
24HP Bottom front extrusion	950-202795
42HP Top front extrusion	950-202736
42HP Bottom front extrusion	950-202735
60HP Top front extrusion	950-202743
60HP Bottom front extrusion	950-202742
84HP Top front extrusion	950-202644
84HP Bottom front extrusion	950-202643
Plain front extrusion	950-221909
Lipless front extrusion	950-233073
Injector/ejector front extrusion	951-232445



KM6-II front tie bars





KM6-II Subrack - piece parts

REAR EXTRUSIONS

For backplane mounting, the KM6-II rear extrusions accept tapped strips. In order to maintain correct connector geometry it is necessary to fit a spacer, either conductive or insulating between extrusion and motherboard/backplane.

Top and bottom rear extrusions are supplied separately.

Backplane extrusions can be converted to DIN 41612 by means of a connector mounting frame.

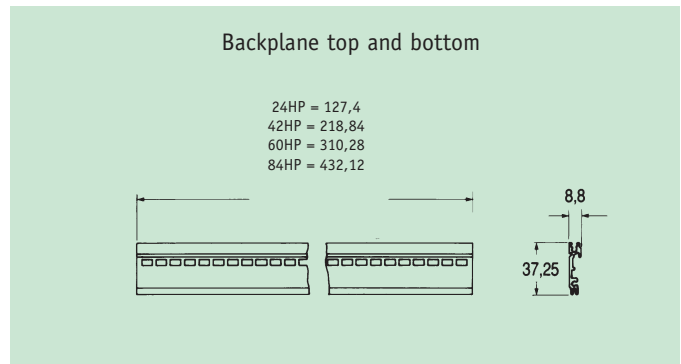
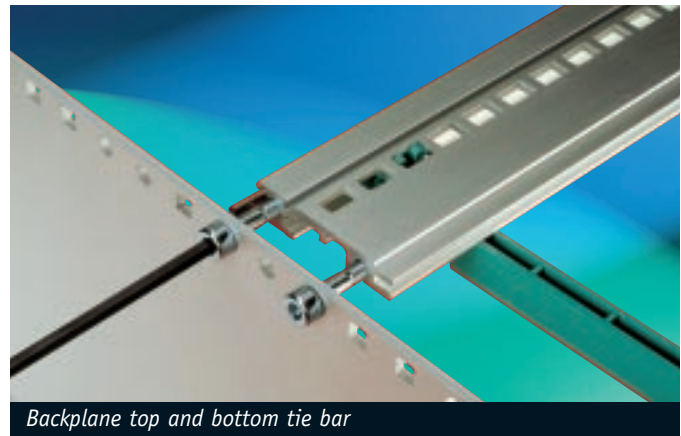
Contents of kit

Item/Description	Material/Finish
1 Extrusion	Aluminum alloy BS 1474 6063T6, conductive* finish.

*Note: alocrom 1000 or equivalent

Ordering information

Rear extrusions	Backplane mounting	Order code
24HP	Top and bottom	950-202797
42HP	Top and bottom	950-202737
60HP	Top and bottom	950-202744
84HP	Top and bottom	950-201276



For DIN 41612 connector mounting the extrusion is pre-tapped M2.5 on a 1HP pitch. These extrusions are printed with connector location ident/label, but are not asymmetrical.

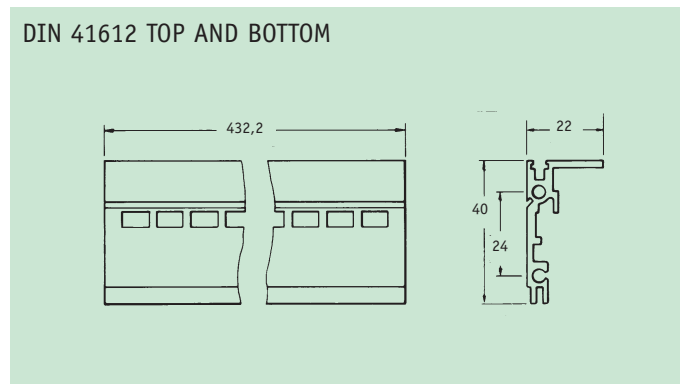
Contents of kit

Item/Description	Material/Finish
1 Extrusion	Aluminum alloy BS 14746063T6, conductive* finish.

*Alocrom 1000 or equivalent

Ordering information

Rear Extrusions	Backplane mounting	Order code
84HP	Top and bottom	950-229781



KM6-II Subrack - piece parts

REAR EXTRUSIONS

For backplane mounting, the KM6-II rear extrusions accept tapped strips.

In order to maintain correct connector geometry it is necessary to fit a spacer, either conductive or insulating between the extrusion and motherboard/backplane.

For DIN 41612 connector mounting the extrusion is pre-tapped M2.5 on a 1HP pitch. These extrusions are printed with connector location idents/labels, but are not asymmetrical.

The center rear comprises a two-part extrusion kit and a facility is provided for fitting a forward facing tapped strip if required.

Backplane extrusions can be converted to DIN 41612 by means of a connector mounting frame.

Contents of kit

Item/Description	Material/Finish
1 extrusion	Aluminum alloy BS 1474 6063-T6, conductive* finish.

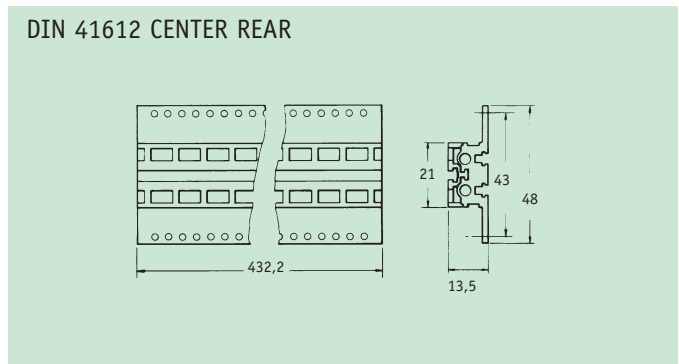
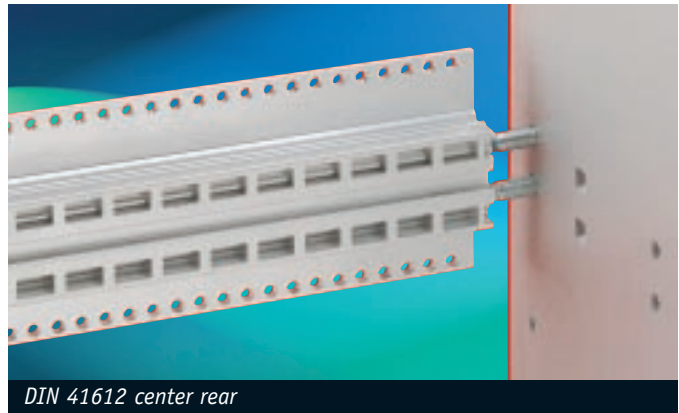
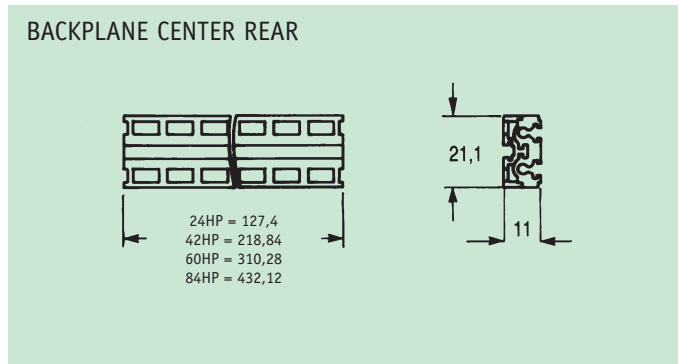
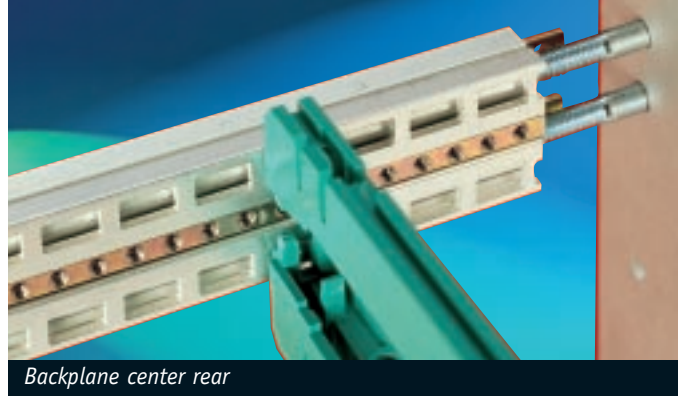
*Alocrom 1000 or equivalent

Ordering information

Rear Extrusions	Backplane mounting	Order code
24HP	Center	950-202798
42HP	Center	950-202738
60HP	Center	950-202745
84HP	Center	950-201277

Rear Extrusions DIN 41612 connector mounting

84HP	Center	950-229784
------	--------	------------





KM6-II Subrack Accessories

TAPPED STRIPS

Tapped M2,5 on a pitch of 1HP, these strips are used for securing front panels, backplanes, or as an option for chassis plates. As an alternative to tapped strips, a slide nut suitable for use in front extrusions can only be used where a small number of locations are required.

Contents of kit

Item/Description	Material/Finish
1 tapped strip	Mild steel zinc and color passivate

Ordering information

Description	Order code
24 HP Tapped strip	950-202799
42 HP Tapped strip	950-202739
60 HP Tapped strip	950-202740
84 HP Tapped strip	950-202001
Slide nut (Pk 10)	124-30499

DIN 41612 CONNECTOR MOUNTING FRAME

- Converts backplane extrusions to DIN 41612 mounting
- Allows separate sub-assembly wiring
- 3U height
- Various widths

This frame is supplied as a kit comprising 2 aluminum extrusions with M2,5 holes on a 1HP pitch, two steel end plates and mounting hardware.

Ordering information

Description	Order code
24 HP DIN 41612 connector mounting frame	950-34247
42 HP DIN 41612 connector mounting frame	950-34246
84 HP DIN 41612 connector mounting frame	950-34244

Finish: conductive

As an alternative to the mounting frame the horizontal extrusions are available in separate kits. A 6HP version can be used for mounting one connector to mate with a power supply plug-in unit. The kit comes with two extrusions and mounting hardware. An 84HP version is also available.

Ordering information

Description	Order code
6HP horizontal extrusions separate kits	950-249491
84HP horizontal extrusions separate kits	950-249489

BACKPLANE SPACER STRIPS

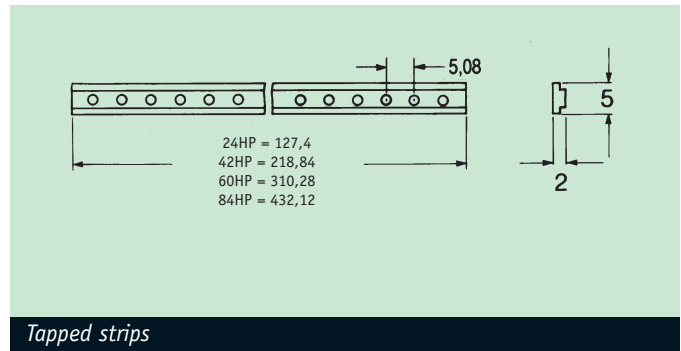
Two types of spacer strips are available, insulating and conductive. The insulating type is available in one and two level versions, each having half shears to aid assembly. The two-level version is used on center rear extrusions. The 84HP strips can be cut down for smaller widths. The conductive strip is 42HP wide. Supplied individually.

Contents of kit

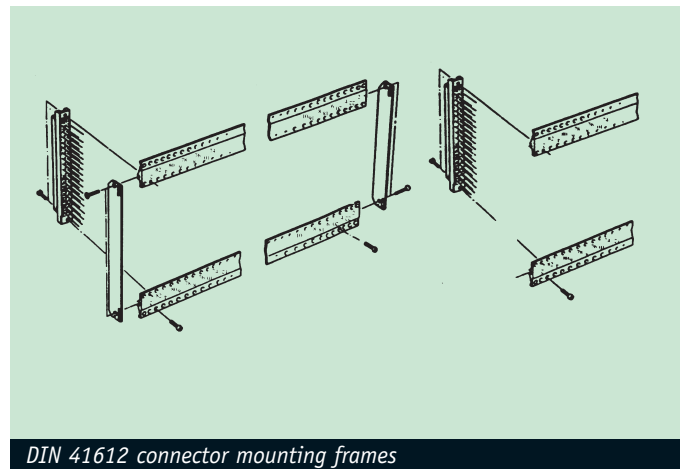
Item/Description	Material/Finish
Insulating spacer	1mm insulating/grey PVC UL94V0
Conductive	1mm MS zinc and passivate

Ordering information

Description	Order code
Insulating spacer single level	950-10014
Insulating spacer two level	950-10015
Conductive spacer 42HP	173-60788

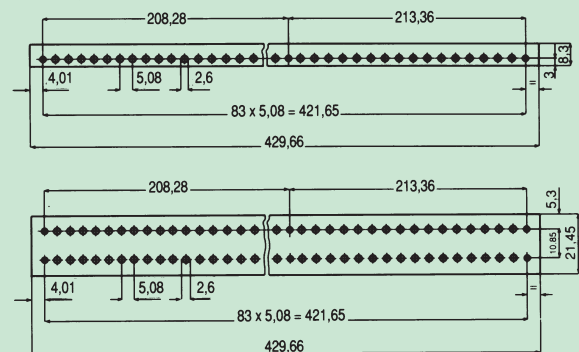


Tapped strips

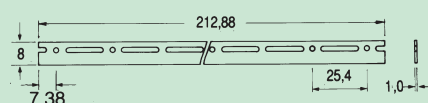


DIN 41612 connector mounting frames

INSULATING SPACERS



CONDUCTIVE SPACER



Backplane spacer strips



KM6-II Subrack Accessories

KM6-II GUIDES

SINGLE PIECE GUIDES

Type 1 PCB -For Eurocards of 1,6mm thickness, either 100mm, 160mm or 220mm long. Compatible with grounding clip.

Type 2 PCB -For Eurocards of 2,4mm thickness, either 160mm or 220mm long.

Type 3 PIU -Plug-in unit (piu) type for cards 111,76 or 245,1mm height, 1,6mm thickness, 160 or 220mm long.

Type 4 PCB-For Eurocards of 1,6mm thickness, 220mm long, this guide will fit over intermediate extrusions, permitting mixing of pcb depths. Compatible with grounding clip.



One piece guides

Contents of kit

Item/Description	Material/Finish	
Types 1, 3, 4	Luranyl 2452/1 or equivalent.	Green.
Types 2	Luranyl 2452/1 or equivalent.	Black.

Ordering information

Description	PK	Order code
type 1 Guide, PCB 1,6mm thick, Board length 100	10	950-242850
type 1 Guide, PCB 1,6mm thick, Board length 160	10	950-232662
type 1 Guide, PCB 1,6mm thick, Board length 220	10	950-232663
type 2 Guide, PCB 2,4mm thick, Board length 160	10	173-232666
type 2 Guide, PCB 2,4mm thick, Board length 220	10	173-232667
type 3 Guide, Plug-in-unit, Board length 160	10	950-232664
type 3 Guide, Plug-in-unit, Board length 220	10	950-232665
type 4 Guide, Low profile, Board length 220	10	950-232668
type 1 Guide, PCB 1,6mm thick, Board length 160	1000	956-243239
type 1 Guide, PCB 1,6mm thick, Board length 220	1000	956-243240



One piece guides

THREE PIECE GUIDES

Type 5 Aluminum center section, with plastic slide in guide section, for 280mm, 340mm or 400mm lengths, 1,6mm thickness.

Order separately: End feet for pcb or plug-in unit.

Type 6-Three part guide end feet for Eurocards of 1,6mm thickness.

Type 8-Three part guide end feet for plug-in unit of 1,6mm thickness.

Contents of kit

Item/Description	Material/Finish
Type 5	Al extrusion, anodized, plastic side-in section Noryl 2452/1, Black.
Type 6 and 8	Noryl 2452/1, Green.

Luranyl 2452/1 is a UL94 VI rated material with a continuous rating of 105°C

Ordering information

Description	Unit	Order code
type 5 280mm board	Pk 10	950-276108
type 5 340mm board	Pk 10	950-276109
type 5 400mm board	Pk 10	950-276110
type 6 PCB guide feet	10 prs	950-202635
type 8 Plug-in guide feet	10 prs	950-202636

KM6-II Subrack Accessories

PCB GROUNDING CLIP

- Electrostatic Protection
- No screws required

This grounding clip can be inserted into the front or rear of 1,6mm pcb guides in KM6-II subracks. Contacts on the clip provide electrical continuity between a suitably equipped Eurocard and, via a spring under the clip, standard front extrusions. Pcb's can, thus be grounded before the engagement of connectors. The clip, which is supplied in packs of 10, fits into a 'pocket' in the guide and requires no screw hardware to maintain contact.

The modification required to the pcb takes the form of a conductive strip along the edge of the board, (see illustration) either on the left or right side.

The clip has been tested to IEC 950: 1986 section 2.5.11. In testing, the clip reached a steady temperature of 76 degrees C at 15A, with a resistance path of 7 mOhms. A typical electrostatic discharge would be 12A for a period of 1 microsecond.

The clip is designed to provide a ground path for electrostatic charges, not for a power short circuit or as a ground rail.

Contents of kit

Item/Description	Material/Finish
Grounding clip, pk 10	0,15mm spring steel plated

Ordering information

Description	Order code
Grounding clip pk 10	950-251366

POSITIVE GUIDE RETENTION

All KM6-II guides, with the exception of the 2,4mm slot version, can be bolted down to a tapped strip in the front extrusion to give shock and vibration resistance.

Tapped strips (detailed below and supplied individually) should be selected by subrack type and width.

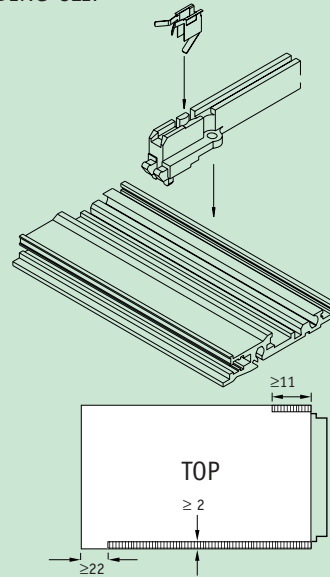
The screw used is M2,5 x 5mm cheesehead, supplied in a packet of 100.

Ordering information

Description	Order code
'Standard' 42 HP Subrack	173-12706
'Standard' 84 HP Subrack	173-12704
Universal 24 HP Subrack	950-202799
Universal 42 HP Subrack	950-202739
Universal 60 HP Subrack	950-202740
Universal 84 HP Subrack	950-202001
Security fixing screws M2,5 x 5	173-202579

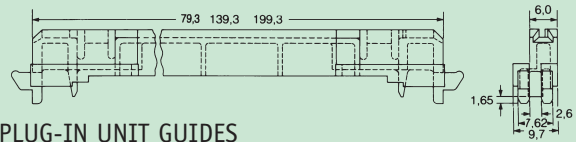
Note: for other widths and for divider kits, a longer strip should be cut down to size

PCB GROUNDING CLIP

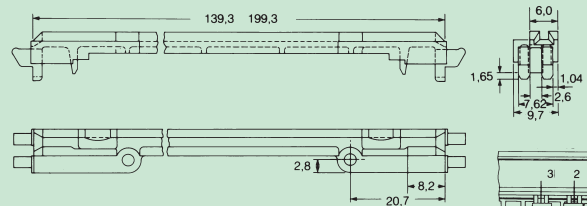


Detail of grounding strip requirements on a standard Eurocard - wiring and/or component side

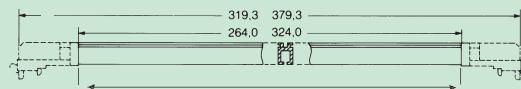
PCB GUIDES



PLUG-IN UNIT GUIDES



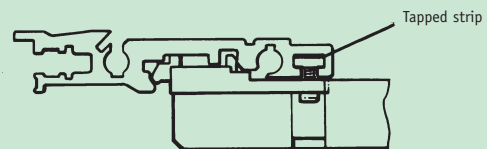
3 PART GUIDES



Guide length "L" Guides should be cut to pcb length minus 76mm

POSITIVE GUIDE RETENTION

Screw retention of guides in a KM6-II subrack



KM6-II Divider Kits

KM6-II 6U FRONT DIVIDER KITS

KM6-II, front divider kits can be fitted after assembly of the subracks.

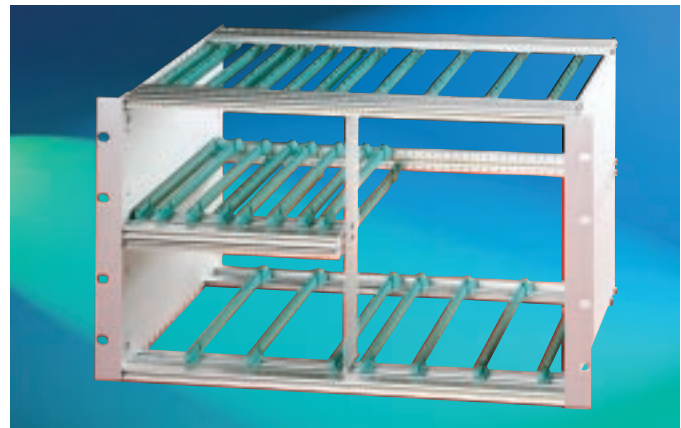
For use with 6U subracks, these divider kits provide a useful way to mix 3U and 6U board heights within a unit.

The divider section is available in different widths from 21 HP measured from either the left hand or right hand side.

The design of the kit is such that there is no loss of front panel space. It should be noted, however, that the divider plate restricts the use of 'C' type connectors to plug-in units of 4 HP width, or greater, at the position immediately to the left of the plate.

Contents of kit

Item/Description	Material/Finish
2 front extrusions and strips	Aluminum alloy BS 1474HE9TF tapped conductive finish
1 6U divider plate (not 84HP version)	1,6mm aluminum alloy BS1470NS4 1/2H conductive finish
Location moldings (not 84HP version)	Luranyl 2452/1
Fixing screws	



KM6-II Front divider kit

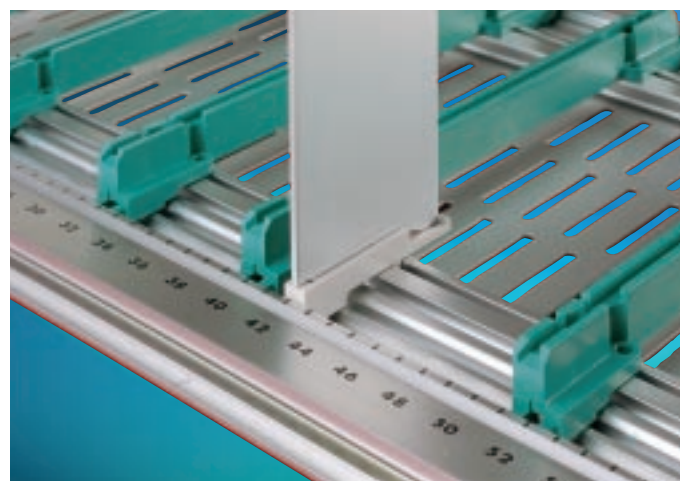
KM6-II LEFT HAND AND RIGHT HAND DIVIDER KIT

Ordering information

Description	Order code
6U Left hand divider kit, width 21 HP	950-202604
6U Left hand divider kit, width 24 HP	950-202605
6U Left hand divider kit, width 42 HP	950-202606
6U Left hand divider kit, width 60 HP	950-202607
Full width divider kit, width 84 HP	950-201275

Ordering information

Description	Order code
6U Right hand divider kit, width 21 HP	950-202609
6U Right hand divider kit, width 24 HP	950-202610
6U Right hand divider kit, width 36 HP	950-202615
6U Right hand divider kit, width 42 HP	950-202611
6U Right hand divider kit, width 60 HP	950-202612
Full width divider kit, width 84 HP	950-201275



Front divider kit



Front divider plate

KM6-II 9U FRONT DIVIDER PLATE

This plate will divide a 9U subrack into 3U and 6U sections.

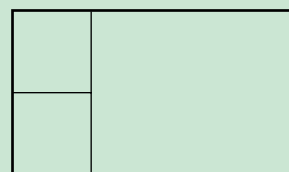
It should be ordered in conjunction with 6U front divider kits. (The 6U plate is discarded.)

Ordering information

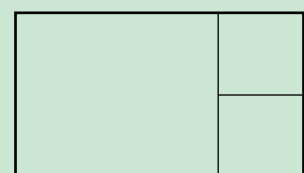
Description	Order code
9U divider plate	950-202622 M

M = Denotes minimum order quantity, please contact our sales office

6U Left hand divider kits

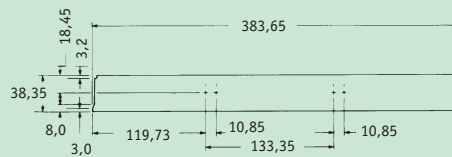
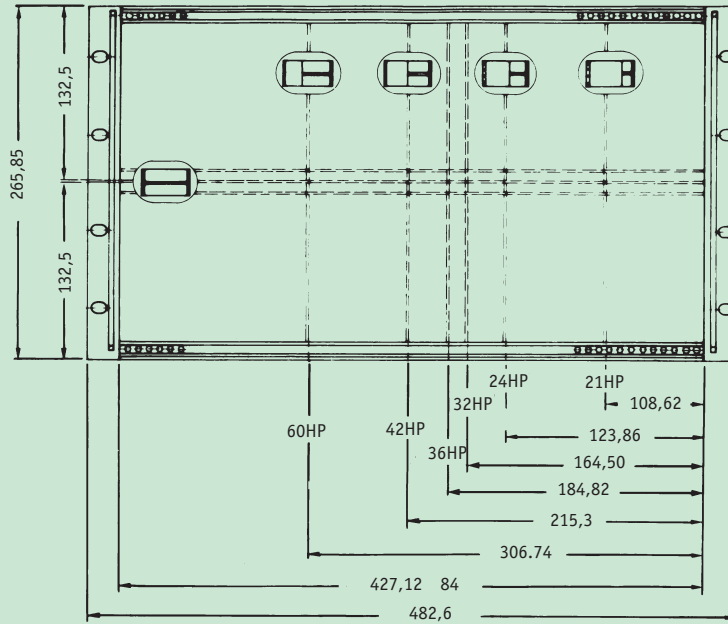


6U Right hand divider kits



KM6-II Divider Kits

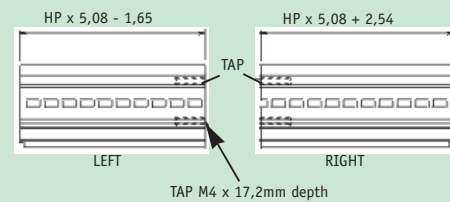
DIMENSIONAL DETAIL - FRONT DIVIDERS



NON STANDARD DIVIDER EXTRUSIONS

In order to produce other widths of divider kits, a larger, standard width should be modified as shown:

FRONT





KM6-II Divider Kits

REAR DIVIDER KITS

Rear divider kits reduce the depth of a subrack locally by 60mm, thus permitting a subrack to be divided into different pcb depths (160 and 220mm for instance).

The kit contains rear extrusions, rear divider plate and assembly screws. Tapped strips are not included, but should be cut down to suit from larger ones. The extrusions are tapped in handed pairs and the counterbored end fits to the end plate.

3U and 6U rear divider plates are available

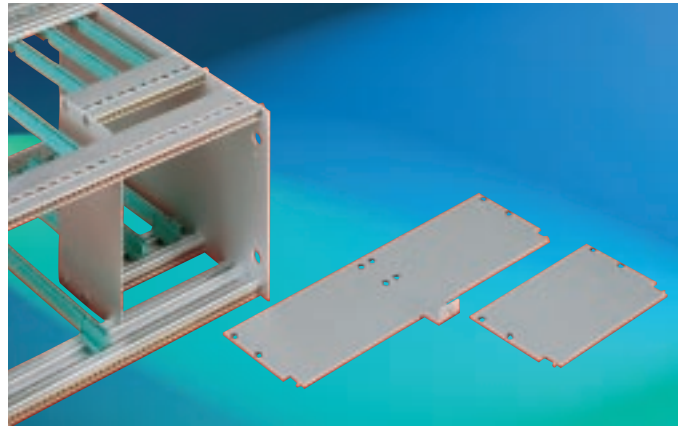
The 6U version should be attached to the center rear extrusion using a small section of tapped strip in the forward slot of that extrusion.

Contents of kit

Item/description
rear extrusions
rear divider plate
assembly screws

Ordering information

Description	Order code
Right hand 6U x 36 HP	950-203688



Rear divider kit

KM6-II REAR DIVIDER PLATES

Rear tie bars, tapped strips and mounting hardware should be ordered separately.

Contents of kit

Item/Description	Material/Finish
Divider plate	1,6mm Aluminum alloy conductive
Mounting hardware	

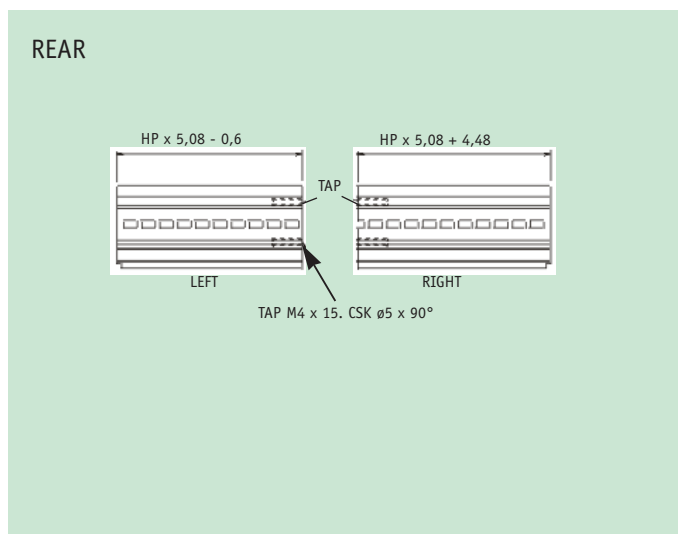
Ordering information

Description	Order code
3U rear divider plate	950-202623
6U rear divider plate	950-202624

Note: when fitting a rear divider plate to a 6U subrack a short piece of tapped strip must be fitted to the center rear tie bar.

NON STANDARD DIVIDER EXTRUSIONS

In order to produce other widths of divider kits, a larger, standard width should be modified as shown:



KM6-II Subrack Accessories

HORIZONTAL MOUNTING MODULES

This unit, fitting into a subrack similar to a 3U module, is in fact a 6U 20HP subrack on its side. This permits the use of standard guides, front panels, plug-in units and solves the problem of housing 6U Eurocards in a 3U subrack.

The horizontal mounting module offers a number of additional advantages. It can be sub-assembled separately from the main subrack, and it offers plenum cooling between the end plates.

Contents of kit

Item/Description	Material/Finish
2 end plates	2,0mm AL chromate
2 front tie bars	BS 1474 HE 9 TE extrusion chromate
3 rear tie bars	BS 1474 HE 9 TE extrusion chromate
4 insulating strips	PVC grey UL 94.V0
6 tapped strips	Mild steel zinc and passivate
2 trim panels	1,0mm AL etch and clear anodize
1 filler panel	2,5mm AL etch and clear anodize
1 insulating sheet	Mylar 240
All hardware	

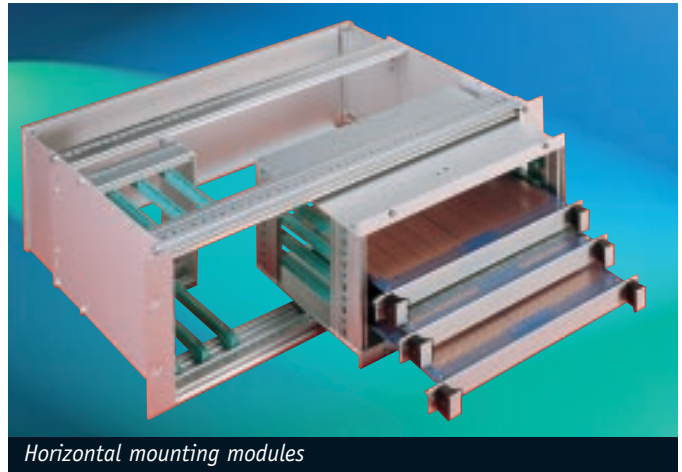
By fitting one or two plug-in unit guides to the main subrack the unit can be fully supported.

Order separately

Guides, connector mounting frame, cooling module, accessories.

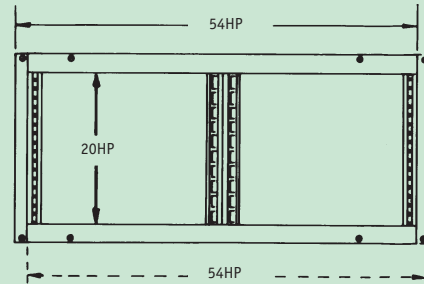
Ordering information

Description	Order code
Horizontal module x 160mm	950-202971
Horizontal module x 220mm	950-202972
PCB guide 160mm (Pk10)	950-232662
PCB guide 220mm (Pk10)	950-232663
Plug-in unit guide 160mm (Pk10)	950-232664
Plug-in unit guide 220mm (Pk10)	950-232665



Horizontal mounting modules

FRONT VIEW



KM6-II Subrack Accessories

KM6-II HARDWARE

SUBRACKS

Ordering information

Function	Description	Order code
1 End plate to extrusions screw	M4 x 25 skt cap	950-202734
2 Connector to rear extrusion screw	M2,5 x 6mm	173-12530
3 Backplane to backplane extrusion screw	M2,5 x 5mm	173-202579
4 Guides to front extrusion	M2,5 x 6mm	173-12530
5 Backplane to backplane extrusion	M2,5 x 8mm	41-227257

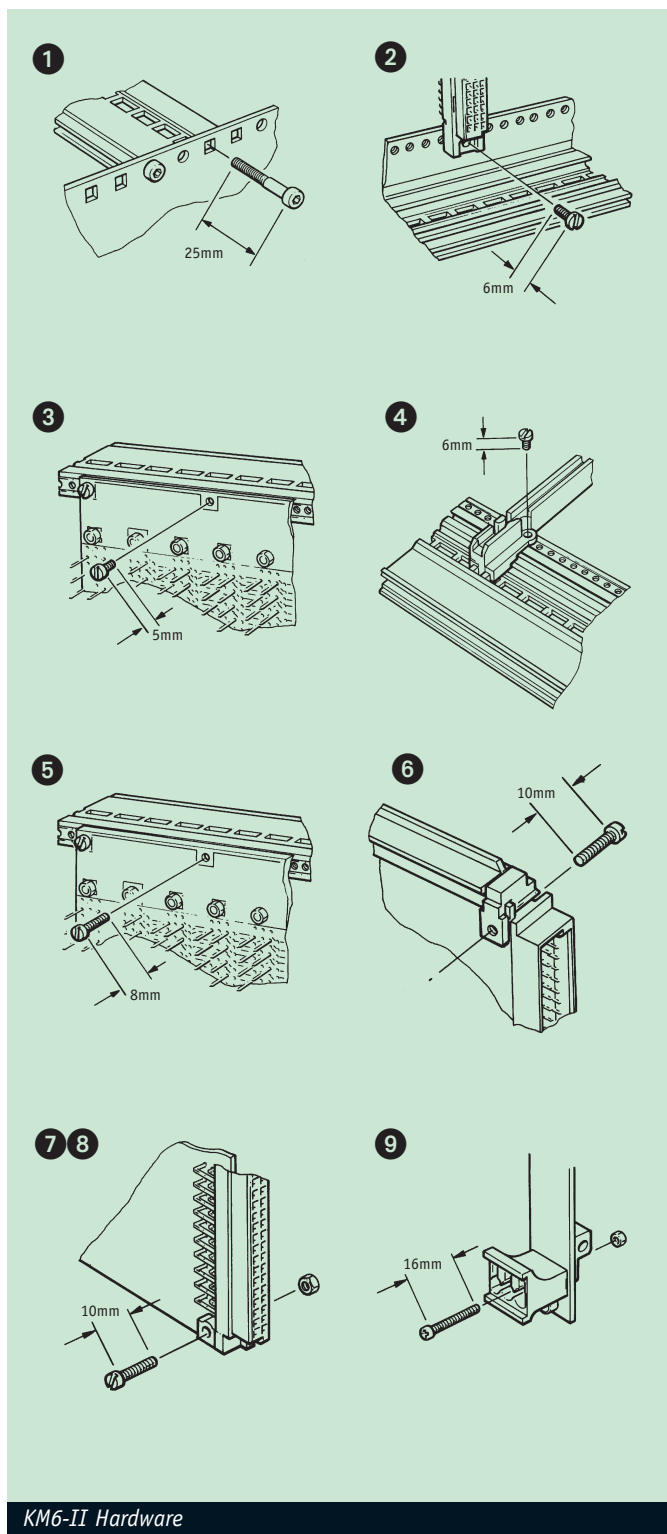
Note: all packs contain 100 units

PLUG-IN UNITS AND FRONT PANELS

Ordering information

Function	Description	Order code
6 Connector to mounting block screw	M2,5 x 10mm	41-20505
7 Connector to PCB screw	M2,5 x 10mm	41-20505
8 Nut for above	M2,5	27-1319
9 Handle to front panel screw	M2,5 x 16mm	174-63105

Note: all packs contain 100 units



KM6-II Hardware

KM6-II Hinged Front Panels

KM6-II HORIZONTALLY HINGED PANEL

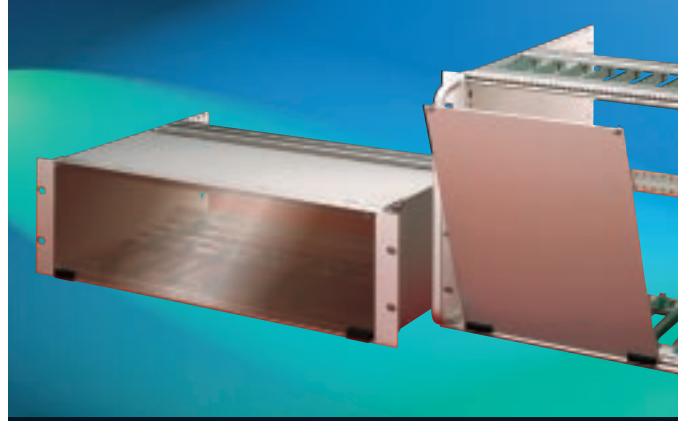
Typically used in situations where quick access is needed to equipment, but it is not desirable to remove the panel completely - e.g. as a socket mounting or display panel.

A range of aluminum panels is supplemented by a 3U, 84HP smoked transparent version for use where it is necessary to view instruments or indicators.

Standard kits are supplied with plastic hinges. A die-cast metal hinge kit is available separately as an accessory to replace the plastic type.

Version 1 (as above)

Version 3 is a decorative panel, being entirely anodized after manufacture. It is supplied in kit form with plastic inserts as standard. These inserts can be replaced with a metal type.



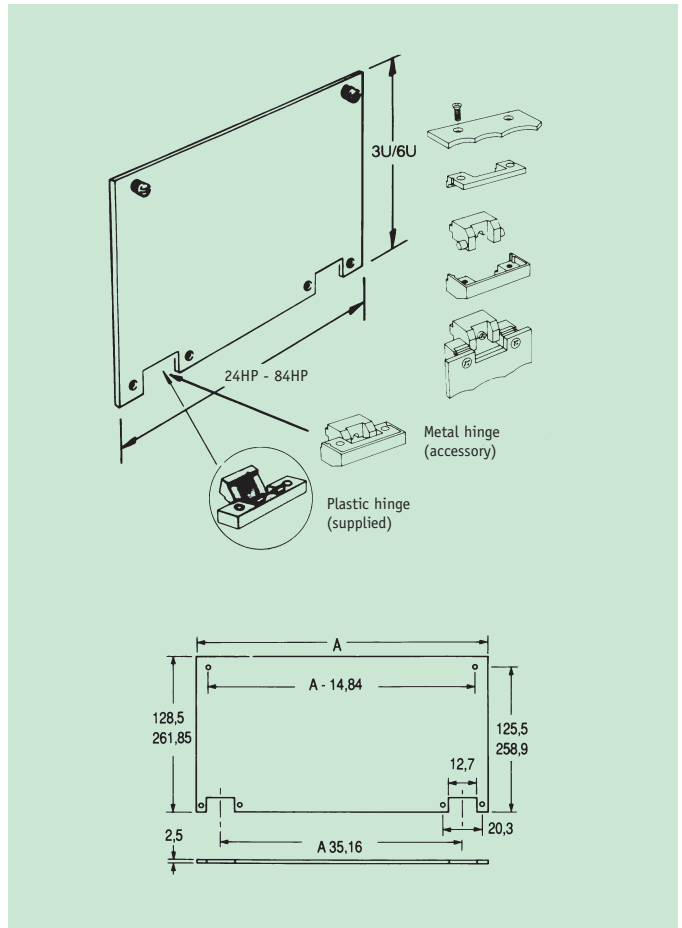
KM6-II horizontally hinged panel

Contents of kits

Item/Description	Material/Finish
Hinged panel	Lexan Polycarbonate, UL 94.V0
Two hinges and hardware	Polypropylene, black
Metal hinge kit:	
Two hinge sets and hardware	Mazak, black

Ordering information

Description	A	Order code
3U x 24HP Hinged front panel Version 1	121,52	953-236180
3U x 42HP Hinged front panel Version 1	212,96	953-236181
3U x 60HP Hinged front panel Version 1	304,40	953-236182
3U x 84HP Hinged front panel Version 3	426,32	953-236184
6U x 84HP Hinged front panel Version 3	426,32	953-236190
Smoked transparent front panel 3U/84 HP	426,32	953-236516
Metal hinge kit		174-26556





KM6-II Hinged Front Panels

KM6-II VERTICALLY HINGED PANEL

Two hinge types are available: heavy duty metal and a lighter duty, plastic type. They can be hinged right or left as required.

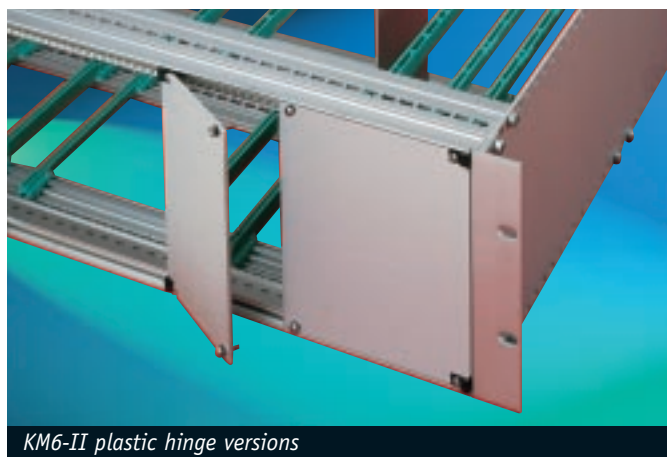
Both types are supplied in 3U and 6U, 84HP wide.

Contents of kits

Item/Description	Material/Finish
Panel	
1 set of hinges	Luranyl 2452/1 black
Metal hinges	Die-cast end bracket, extruded aluminum hinge plate
All hardware	

Ordering information

Description	Order code
3U x 84HP plastic hinge type	953-236121
6U x 84HP plastic hinge type	953-236124
3U x 84HP heavy duty hinge type	953-236125
6U x 84HP heavy duty hinge type	953-236126

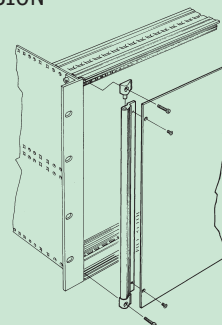


KM6-II plastic hinge versions



KM6-II heavy duty hinge version

HEAVY DUTY VERSION



NORMAL VERSION

